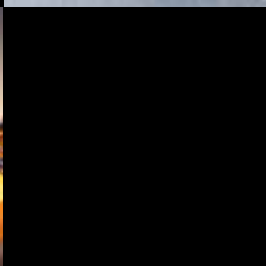
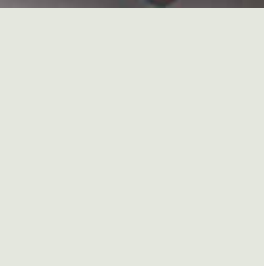
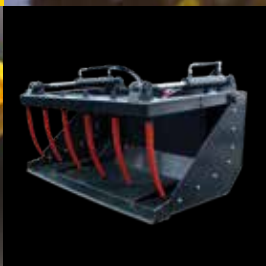




C A T A L O G



ABOUT US

JSCV. Padagas ir Ko is a Lithuanian capital, family owned company, founded in 1995. The company started with producing various type of agricultural machinery, but over time our main activity became manufacture of implements for tractors and wheel loaders. For more than 25 years, we are successfully producing and selling implements for agriculture and utility sectors. Today the company is the market leader in the Baltic States specializing in the production of snow cleaners and sweepers.

We design NEW products, improve their quality. In the modernized factory NEW and advanced metal-working machinery, robotic welding stations, blasting and painting rooms are installed. All products comply with European directives and are marked with CE sign.

Our products are valued both in Lithuanian and foreign markets.



Why PADAGAS?

- 25 years experience in manufacture
- Modern production technology
- Contemporary design



Universal Padagas brackets are suitable for all PADAGAS sweeping machines, snowplows and sand spreaders.

JSCV. Padagas ir Ko
Pušies str. 20, Varkalių km.
LT-90104 Plungės raj., Lithuania
Tel. +370 448 71863
Fax +370 448 71891
info@padagas.lt
www.padagas.lt

Key



Telehandler



Skid steer



Forklift



Wheel loader



Tractor loader



Tractor with front linkage



Tractor



Mini Tractor



Excavator



Grader

Sweeping machine BS

TECHNICAL DATA	BS-130	BS-155	BS-185	BS-210	BS-230	BS-250
Total width, mm	1523	1773	2073	2457	2657	2857
Working width, mm	1297	1547	1847	2098	2298	2500
Capacity of dust bunker, m ³	0,37	0,44	0,52	0,59	0,65	0,71
Working capacity of dust bunker, m ³	0,26	0,31	0,37	0,41	0,46	0,5
Weight, kg	372	445	493	534	565	596
Brush ring diameter, mm	650					
Hydraulic motor	1					
Oil pressure min/recommended/max, bar	125/150/175					
Oil flow min/recommended/max, l/min	40/50/75					

Optional:

- Water system with one water tank (150 l)
- Additional water tank to water system (150 l)
- Side brush
- Solenoid valve



FITS TO

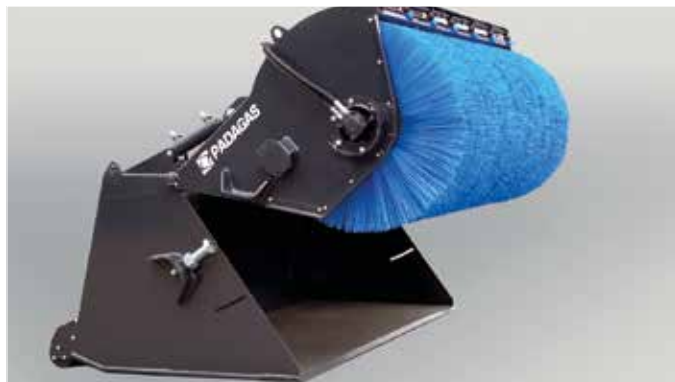


Sweeping machine BS H

TECHNICAL DATA	BS H-230	BS H-250	BS H-280	BS H-300
Total width, mm	2657	2857	3157	3357
Working width, mm	2303	2503	2803	3003
Capacity of dust bunker, m ³	1,32	1,44	1,61	1,72
Working capacity of dust bunker, m ³	0,93	1,01	1,13	1,21
Weight, kg	858	899	962	1003
Brush ring diameter, mm	915			
Hydraulic motor	2			
Oil pressure min/recommended/max, bar	125/150/175			
Oil flow min/recommended/max, l/min	80/100/150			

Optional:

- Water system with one water tank (150 l)
- Additional water tank to water system (150 l)
- Side brush
- Solenoid valve



FITS TO



Sweeping machine FOX

NEW

TECHNICAL DATA	FOX-130	FOX-150	FOX-180	FOX-230
Total width, mm	1584	1774	2084	2584
Sweeping width, mm	1253	1443	1753	2253
Sweeping width turned, mm	1170	1356	1647	2116
Weight, kg	250	262	282	314
PPN brush diameter, mm	520	520	520	520
Hydraulic turning left/right	20°	20°	20°	20°
Oil pressure min/recommended/max	120/140/175	120/140/175	120/140/175	120/140/175
Oil flow min/recommended/max	25/30/60	25/30/60	25/30/60	25/30/60

Optional:

- Water system with one water tank (200 l)
- Side brush
- Solenoid valve
- Hydraulic angling
- Safety cover



FITS TO



Sweeping machine FOX BH

NEW

TECHNICAL DATA	FOX-130BH	FOX-150BH	FOX-180BH	FOX-230BH
Total width, mm	1584	1774	2084	2584
Sweeping width, mm	1253	1443	1753	2253
Sweeping width turned, mm	1170	1356	1647	2116
Weight, kg	250	262	282	314
Dirt collector capacity m ³	0,09	0,10	0,13	0,16
PPN brush diameter, mm	520	520	520	520
Hydraulic turning left/right	20°	20°	20°	20°
Oil pressure min/recomended/max	120/140/175	120/140/175	120/140/175	120/140/175
Oil flow min/recomended/max	25/30/60	25/30/60	25/30/60	25/30/60

Optional:

- Water system with one water tank (200 l)
- Side brush
- Solenoid valve
- Hydraulic angling



Sweeping machine FOX H

NEW

TECHNICAL DATA	FOX H-150	FOX H-200	FOX H-230	FOX H-250
Total width, mm	1753	2253	2563	2793
Sweeping width, mm	1428	1928	2238	2445
Sweeping width turned, mm	1342	1812	2103	2298
Weight, kg	328	380	407	430
PPN brush diameter, mm	600	600	600	600
Hydraulic turning left/right	20°	20°	20°	20°
Oil pressure min/recomended/max	120/140/175	120/140/175	120/140/175	120/140/175
Oil flow min/recomended/max	25/30/60	30/40/60	30/40/60	40/50/75

Optional:

- Water system with one water tank (200 l)
- Side brush
- Solenoid valve
- Hydraulic angling
- Safety cover



Sweeping machine FOX H BH

NEW

TECHNICAL DATA	FOX H-150BH	FOX H-200BH	FOX H-230BH	FOX H-250BH
Total width, mm	1753	2253	2563	2793
Sweeping width, mm	1428	1928	2238	2445
Sweeping width turned, mm	1342	1812	2103	2298
Weight, kg	328	380	407	430
Dirt collector capacity m ³	0,12	0,16	0,19	0,20
PPN brush diameter, mm	600	600	600	600
Hydraulic turning left/right	20°	20°	20°	20°
Oil pressure min/recomended/max	120/140/175	120/140/175	120/140/175	120/140/175
Oil flow min/recomended/max	25/30/60	30/40/60	30/40/60	40/50/75

Optional:

- Water system with one water tank (200 l)
- Side brush
- Solenoid valve
- Hydraulic angling



Sweeping machine PG

TECHNICAL DATA	PG-15	PG-20	PG-22	PG-25	PG-30
Total width, mm	1650	2150	2477	2650	3277
Working width, mm	1394	1893	2200	2400	3000
Working width angled, mm	1223	1655	1994	2090	2719
Angling	25°				
Weight without bracket, kg	270	300	317	335	417
Brush ring diameter, mm	520				700
Drive	Drive Mechanical, from PTO shaft				

Optional:

- Water system with one water tank (150/200 l)
- Additional water tank to water system (150 l)
- Side brush
- Hydraulic lifting for side brush
- Water system for side brush
- Solenoid valve
- Hydraulic angling
- PTO shaft



FITS TO



FITS TO



Sweeping machine PG-BH

TECHNICAL DATA	PG-15BH	PG-20BH	PG-25BH
Total width, mm	1650	2150	2650
Working width, mm	1394	1893	2400
Working width angled, mm	1223	1655	2090
Angling	25°		
Weight without bracket, kg	380	430	475
Capacity of dust bunker, m ³	0,15	0,20	0,25
Brush ring diameter, mm	520		
Drive	Mechanical, from PTO shaft		

Optional:

- Water system with one water tank (150/200 l)
- Additional water tank to water system (150 l)
- Side brush
- Hydraulic lifting for side brush
- Water system for side brush
- Solenoid valve
- Hydraulic angling
- PTO shaft



FITS TO



Sweeping machine PG-F

TECHNICAL DATA	PG F-30
Total width, mm	3315
Working width, mm	3000
Working width angled, mm	2720
Angling	20°
Weight with bracket, kg	940
Drive	Mechanical, from PTO shaft
Brush ring diameter, mm	800
PTO speed, rpm	1000

Optional:

- Hydraulic angling



FITS TO



Sweeping machine PROFI

TECHNICAL DATA	PROFI-1851	PROFI-2101	PROFI-2301	PROFI-2601	PROFI-2901
Total width, mm	2370	2440	2640	2940	3240
Working width, mm	2010	2080	2280	2580	2870
Working width angled, mm	1600	1700	2000	2300	2500
Angling	20°				
Weight without bracket, kg	664	695	717	748	793
Capacity of dust bunker, m ³	0,36	0,37	0,41	0,46	0,21
Brush ring diameter, mm	650				
Hydraulic motor	1				2
Oil pressure, bar	175	175	175	175	175
Oil flow, l/min	80	80	80	80	80

Optional:

- Water system with one water tank (150/200 l)
- Additional water tank to water system (150 l)
- Side brush
- Hydraulic lifting for side brush
- Water system for side brush
- Solenoid valve
- Side lamps, 2 pcs
- Working area lightening
- Oil flow regulator 150l/min
- Oil flow regulator 250 l/min
- Oil flow regulator 340 l/min
- Free rotation valve, 1 pcs
- Hard rubber tires (set)



FITS TO



Sweeping machine PROFI G

TECHNICAL DATA	PROFI G-2650	PROFI G-2850	PROFI G-3050	PROFI G-3350	PROFI G-3650	PROFI G-3950
Total width, mm	3000	3200	3400	3700	4000	4300
Working width, mm	2650	2850	3050	3350	3650	3950
Angling	20°					
Weight, kg	1231	1281	1331	1406	1481	1556
Brush ring diameter, mm	915					
Hydraulic motor	2					
Oil pressure, bar	175	175	175	175	175	175
Oil flow, l/min	150	150	150	150	150	150

Optional:

- Water system with one water tank (150/200 l)
- Additional water tank to water system (150 l)
- Side brush
- Hydraulic lifting for side brush
- Water system for side brush
- Solenoid valve
- Side lamps, 2 pcs
- Working area lightening
- Oil flow regulator 150l/min
- Oil flow regulator 250 l/min
- Oil flow regulator 340 l/min



FITS TO



Sweeping machine PROFI H

TECHNICAL DATA	PROFI H-2101	PROFI H-2501	PROFI H-2801
Total width, mm	2440	2840	3140
Working width, mm	2080	2480	2780
Working width angled, mm	1700	2100	2400
Angling	20°		
Weight without bracket, kg	937	989	1028
Capacity of dust bunker, m ³	0,49	0,58	0,65
Brush ring diameter, mm	800		
Hydraulic motor	2		
Oil pressure, bar	175	175	175
Oil flow, l/min	80	80	80

Optional:

- Water system with one water tank (150/200 l)
- Additional water tank to water system (150 l)
- Side brush
- Hydraulic lifting for side brush
- Water system for side brush
- Solenoid valve
- Side lamps, 2 pcs
- Working area lightening
- Oil flow regulator 150l/min
- Oil flow regulator 250 l/min
- Oil flow regulator 340 l/min
- Free rotation valve, 1 pcs
- Hard rubber tires (set)



FITS TO



Sweeping machine SHARK

TECHNICAL DATA	SHARK-250	SHARK-300	SHARK-330	SHARK-350
Total width, mm	2858	3358	3658	3858
Working width, mm	2460	2960	3260	3460
Working width angled, mm	2230	2683	2955	3136
Weight without bracket, kg	560	589	633	625
Brush ring diameter, mm	800			
Angling	25°			
Hydraulic motor	2			
Oil pressure min/recommended/ max, bar	125/150/175	125/150/175	125/150/175	125/150/175
Oil flow min/recommended/ max, l/min	80/100/150	80/100/150	80/100/150	80/100/150

Optional:

- Water system with one water tank (150 l)
- Additional water tank to water system (150 l)
- Solenoid valve
- Side lamps, 2 pcs
- Working area lightening
- Oil flow regulator 150l/min
- Oil flow regulator 250 l/min
- Oil flow regulator 340 l/min
- Free rotation valve, 1 pcs (if sweeper has 2 motors, it needs 2 pcs free rotation valves)
- Safety valve for hydraulic motor, 1 pcs (if sweeper has 2 motors, it needs 2 pcs free safety valves)
- Hard rubber tires (set)



FITS TO



Sweeping machine SHARK H

TECHNICAL DATA	SHARK H-250	SHARK H-300	SHARK H-330	SHARK H-350
Total width, mm	2858	3358	3658	3858
Working width, mm	2456	2956	3256	3456
Working width angled, mm	2230	2683	2955	3136
Weight without bracket, kg	592	632	650	665
Brush ring diameter, mm	915			
Angling	25°			
Hydraulic motor	2			
Oil pressure min/recommended/ max, bar	125/150/175	125/150/175	125/150/175	125/150/175
Oil flow min/recommended/ max, l/min	80/100/150	80/100/150	80/100/150	80/100/150

Optional:

- Water system with one water tank (150 l)
- Additional water tank to water system (150 l)
- Solenoid valve
- Side lamps, 2 pcs
- Working area lightening
- Oil flow regulator 150l/min
- Oil flow regulator 250 l/min
- Oil flow regulator 340 l/min
- Free rotation valve, 1 pcs (if sweeper has 2 motors, it needs 2 pcs free rotation valves)
- Safety valve for hydraulic motor, 1 pcs (if sweeper has 2 motors, it needs 2 pcs free safety valves)



Sweeping machine KS

TECHNICAL DATA	KS-230	KS-250
Total width, mm	2583	2733
Working width, mm	2156	2306
Weight without bracket, kg	340	360
Brush ring diameter, mm	600	600
Oil pressure min/recommended/max, bar	125/150/175	125/150/175
Oil flow min/recommended/max, l/min	40/50/75	40/50/75



FITS TO



FITS TO



Sweeping machine MK III

TECHNICAL DATA	MK III-150	MK III-180	MK III-220	MK III-245
Total width, mm	1540	1840	2240	2490
Working width, mm	1500	1800	2200	2450
Weight without bracket, kg	134	159	192	213

Optional:

- Forklift bracket
- Multibracket frame
- Side brushes



FITS TO



Sweeping machine PIW

TECHNICAL DATA	PIW-30	PIW-60	PIW-80	PIW-120	PIW-150	PIW-200	PIW-250
Total width, mm	470	950	1150	1550	1809	2367	2867
Working width, mm	300	600	800	1200	1440	2000	2500
Weight without bracket, kg	105	155	170	200	230	285	320
Brush ring diameter, mm	800						
Hydraulic motor	1				2		
Oil pressure min/ recommended/max, bar	125/150/ 175	125/150/ 175	125/150/ 175	125/150/ 175	125/150/ 175	125/150/ 175	125/150/ 175
Oil flow min/recommended/ max, l/min	40/50/75	40/50/75	40/50/75	40/50/75	40/50/75	80/100/ 150	80/100/ 150

Optional:

- S-40 bracket
- S-45 bracket
- S-60 bracket
- Lannen LE bracket
- NTP-10 bracket
- 915 mm PPN brushes



FITS TO



Sweeping machine TK

TECHNICAL DATA	TK-130	TK-150	TK-180
Total width, mm	1700	1840	2140
Working width, mm	1380	1500	1800
Working width angled, mm	1320	1435	1720
Angling	17°		
Weight without bracket, kg	191	198	212
Brush ring diameter, mm	600		
Hydraulic motor	2		
Oil pressure min/recommended/max, bar	120/140/175		
Oil flow min/recommended/max, l/min	25/30/60		

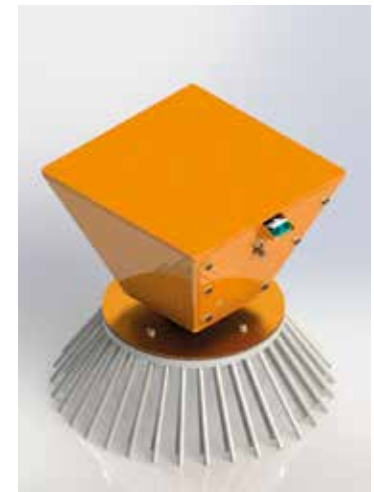
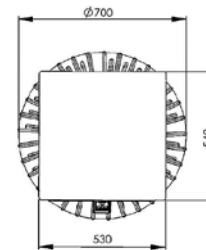
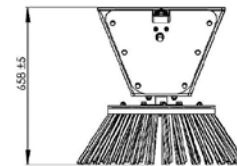
Optional:

- Hydraulic angling



Excavator sweeper for lawns E-70

TECHNICAL DATA	E-70
Brackets	S-40; S-45; S-60; NTP-10
Height, m*	0,66
Brushes	Metal / plastic
Drive	Hydraulic motor
Oil flow, l/min	25
Weight, kg*	75



FITS TO



FITS TO



Light duty class SSV-L

TECHNICAL DATA	SSV-15L	SSV-17L	SSV-21L	SSV-25L
Working width, mm	1490	1685	2111	2565
Working width turning, mm	1350	1519	1903	2310
Hydraulic rotation	25°			
Height, mm	616	616	616	674
Cleaning knife	Hardox			
Weight without bracket, kg	216	228	265	345

Optional:

- Hydraulic turning
- Side lamps
- Cleaning knife – rubber



FITS TO



Light duty class SSVL-L

TECHNICAL DATA	SSVL-15L	SSVL-17L	SSVL-21L	SSVL-25L	SSVL-28L
Working width, mm	1500	1700	2120	2580	2890
Working width turning, mm	1225	1412	1760	2132	2370
Working width in position „Y“, mm	1274	1453	1802	2173	2430
Working width in position „V“, mm	1198	1372	1719	2093	2350
Hydraulic rotation	35°				
Height middle/side, mm	678/730	678/730	677/760	677/760	677/760
Cleaning knife	Hardox				
Weight without bracket, kg	250	265	305	340	390

Optional:

- Hydraulic turning
- Side lamps
- Cleaning knife – rubber
- Hydro system optimum efficiency



FITS TO



Semi-heavy duty class SSV-M

TECHNICAL DATA	SSV-25M	SSV-28M	SSV-32M
Working width, mm	2565	2800	3200
Working width turning, mm	2100	2430	2750
Hydraulic rotation	35°		
Height, mm	678	678	678
Cleaning knife	Hardox		
Weight without bracket, kg	600	625	660

Optional:

- Side lamps
- Cleaning knife – rubber
- Hydro system optimum efficiency
- Support wheels
- Diagonal valve
- Hydro accumulator



Semi-heavy duty class SSVL-M

TECHNICAL DATA	SSVL-25M	SSVL-28M	SSVL-32M
Working width, mm	2572	2886	3286
Working width turning, mm	2110	2360	2690
Working width in position „Y“, mm	2168	2425	2753
Working width in position „V“, mm	2090	2348	2676
Hydraulic rotation	35°		
Height middle/side, mm	779/854	779/854	779/854
Cleaning knife	Hardox		
Weight without bracket, kg	630	670	700

Optional:

- Side lamps
- Cleaning knife – rubber
- Hydro system optimum efficiency
- Support wheels
- Diagonal valve
- Hydro accumulator



Heavy class SSV

TECHNICAL DATA	SSV-32	SSV-37	SSV-40
Working width, mm	3277	3675	3951
Working width turning, mm	2680	3010	3240
Hydraulic rotation	35°		
Height, mm	1058	1058	1058
Cleaning knife	Hardox		
Weight without bracket, kg	900	945	970

Optional:

- Side lamps
- Cleaning knife – rubber
- Hydro system optimum efficiency
- Support wheels
- Diagonal valve
- Hydro accumulator
- Shock absorber for floating bracket



FITS TO

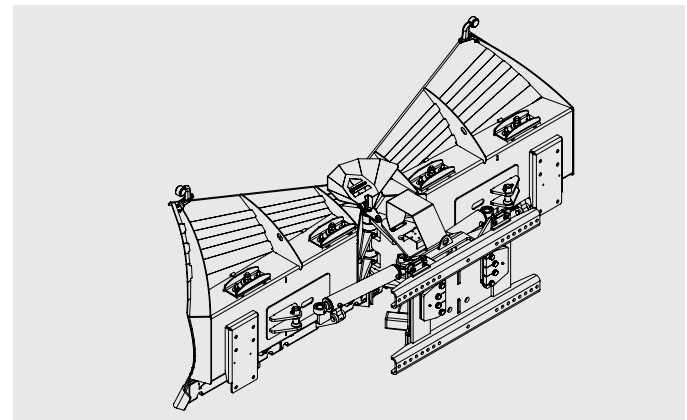
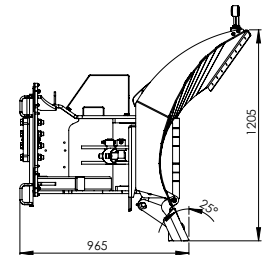


Heavy duty class SSVL-A with positive angled Hardox knife

TECHNICAL DATA	SSVL-32A	SSVL-37A	SSVL-40A
Working width, mm	3240	3740	4040
Working width turning, mm	2700	3080	3320
Working width in position „Y“, mm	2750	3130	3380
Working width in position „V“, mm	2680	3060	3310
Hydraulic rotation	35°		
Height side, mm	1205	1205	1205
Cleaning knife	Hardox		
Cleaning knife angle,	25°		
Weight without bracket, kg	1040	1090	1140

Optional:

- Side lamps
- Rubber knife
- Hydro system optimum efficiency
- Support wheels
- Diagonal valve
- Hydro accumulator
- Protection valve
- Shock absorber for floating bracket



FITS TO



Heavy class SSVL

TECHNICAL DATA	SSVL-32	SSVL-37	SSVL-40
Working width, mm	3296	3694	3970
Working width turning, mm	2700	3030	3250
Working width in position „Y“, mm	2758	3084	3310
Working width in position „V“, mm	2687	3013	3239
Hydraulic rotation	35°		
Height middle/side, mm	1060	1057	1057
Cleaning knife	Hardox		
Weight without bracket, kg	1065	1115	1155

Optional:

- Side lamps
- Cleaning knife – rubber
- Hydro system optimum efficiency
- Support wheels
- Diagonal valve
- Hydro accumulator
- Shock absorber for floating bracket



Semi-heavy duty class SSV-D

TECHNICAL DATA	SSV-26D	SSV-30D
Working width, mm	2,60	3,00
Working width turning, mm	2,26	2,60
Bracket hydraulic rotation	7°	
Hydraulic rotation	30°	
Weight, kg	660	700



Economical class SV

TECHNICAL DATA	SV-26	SV-30
Working width, mm	2600	3120
Working width turning, mm	2260	2700
Hydraulic rotation	35°	
Height, mm	620	620
Cleaning knife	Metal	
Weight without bracket, kg	300	340

Optional:

- Hydraulic turning
- Cleaning knife – rubber



FITS TO



Grader RB-2275/3200H

TECHNICAL DATA	RB-2275/3200H
Suspension system	3 point 2-3 cat.
Recommend power, hp	100
Width, mm	2275
Shellboard's rotation	275°
Height, mm	1460
Cleaning knife, pcs	5
Weight without wheels, kg	880
Wheels weight, kg	120

Optional:

- Extension wing 238 mm
- Extension wing 363 mm
- Extension angled wing 135°
- Hydraulic adjustment of wheels
- Safety valve
- Hydraulic lock for hydraulic cylinder
- Hydraulic accumulator
- Electromagnetic valve (solenoid) for one pair of hydraulic connection



FITS TO



Tractor grader RB-M

TECHNICAL DATA	RB-250M	RB-275M	RB-300M
Suspension system	3 point 2 cat.	3 point 2 cat.	3 point 2 cat.
Recommend power, hp	< 100		
Width, m	2,50	2,75	3,00
Shellboard rotation	252°		
Height, m	0,55	0,65	0,65
Cleaning knife, pcs	2	3	4
Weight, kg	470	526	562



Side grader attachment SG-250

TECHNICAL DATA	SG-250
Utmost working width from flank line of vehicle, mm	2200
Dimensions of the plow, mm	3000x500x1110
Plow's ascending height from the surface (for transportation)	550
Adjustment of working width	5° ÷ 45°
Weight, kg	1250



Rear grader attachment GG-320

TECHNICAL DATA	GG-320
Working width of rear extended plow (not including raker) mm	2200
Plow dimensions:	
Left side	3180
Right side	1525
Raker	1159
Height of the plow from the ground (during transportation) mm	400
Adjustment of working angle	0° ÷ 30°
Weight, kg	1309



FITS TO

Frontal grader attachment CG-300

TECHNICAL DATA	CG-300
Width, mm	3000
Plow dimensions, mm	3000x900x1500
Descending plow below horizontal position, mm	150
Angling to both sides	30°
Weight, kg	1500



FITS TO

Bulldozer GF

TECHNICAL DATA	GF-150
Tractor power, hp	<50
Width (m)	1,5
Shellboard's rotation, °	360°
Height (m)	0,4
Amount of knives (pcs.)	1
Weight (kg)	83



FITS TO

Sand spreader SP

TECHNICAL DATA	SP-240	SP-250	SP-400	SP-800	SP-1000	SP-1500	SP-2000	SP-3000
Length, mm	1391	1420	1600	1800	2400	2600	2570	2570
Width, mm	540	800	900	1160	1160	1210	1200	1600
Height, mm	753	608	780	880	880	1015	1200	1200
Working width, mm	1209	1200	1400	1580	2180	2360	2360	2360
Capacity, l	240	250	400	800	1000	1500	2000	3000
Weight, kg	195	180	250	330	435	620	750	810
Drive	Mechanic	Hydraulic						

Optional:

- Three point bracket with hydraulic cylinder
- Bracket for front loader



FITS TO



Sand spreader on wheels SP

TECHNICAL DATA	SP-4000	SP-6000	SP-8000	SP-9000
Total width, mm	2574	2574	2574	2574
Spreading width, mm	2238	2238	2238	2238
Container volume, m ³	4,4	6,4	8	9
Total length, mm	3783	3783	3783	3783
Height, mm	1875	2239	2498	2689
Empty weight, kg	2200	2350	2440	2480
Full weight, kg	13000	13000	13000	13000
Recommended oil flow 160 bar, l	60	60	60	60



FITS TO



Disc Sand spreader SPD-1000 – self load

TECHNICAL DATA	SPD-1000
Total width, mm	2420
Spreading width, mm	100-1000
Container volume, m ³	1
Total length, mm	1250
Height, mm	1110
Empty weight, kg	620
Recommended oil flow 160 bar, l	60

Optional:

- Smart control
- Tarpaulin cover



FITS TO

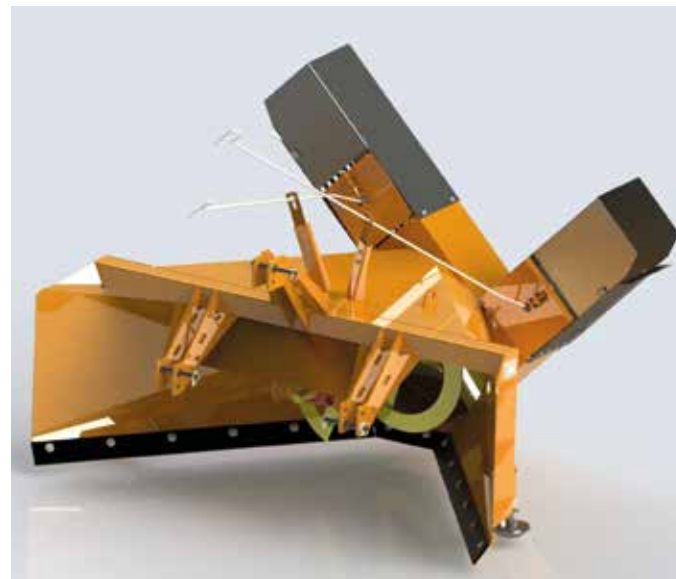


Snow blower SBV-2250

TECHNICAL DATA	SBV-2250
Weight, kg	430
Working width, mm	2250
Snow throw knives, pcs.	4
Snow presenting shaft type	Spiral
Snow throw blade diameter, mm	700
Required tractor power, HP	45 ... 110
Tractor PTO speed, rpm/min	540
Slice type and quantity	1 ¾ (6)

Optional:

- Side knife



FITS TO



Front mounth brackets

- We are producing front mount bracket for various models of tractors.

Arma Trac 804
Deutz Fahr Agrottrac 150
E-0
E-2
Europard-Foton 904
Ferguson 3080
John Dear 6300/6930/7810
Leus LS plus 90-100/U50
NEW Holland TD.90/T5060/TD5050
MTZ 1221/1523.3
Zetor
Solis 26
Farmtrac 26
TYM T954/T1003
Valtra N104H/T190
Zuitberg 10kN/8kN

FITS TO



Concrete mixing bucket CM

NEW

TECHNICAL DATA	CM 150	CM 175	CM 200
Total width, mm	1730	1980	2230
Capacity, l	750	850	950
Weight, kg	760	830	900
Minimum suggested rotation, rpm	30		
Flow rate, l/min	120		
Max working pressure, bar	200		



FITS TO



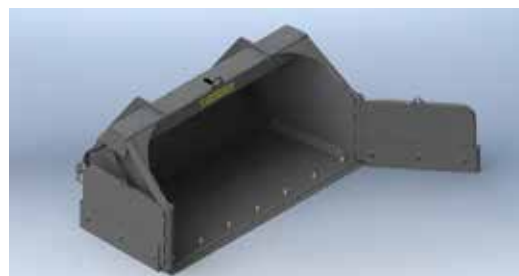
Lightweight materials buckets LMK

TECHNICAL DATA	LMK-280	LMK-300	LMK-400	LMK-550	LMK-700
Weight, kg	633	680	852	1152	1552
Width, mm	2400	2600	2700	2850	3150
Height, mm	1340	1350	1480	1740	1900
Depth, mm	1350	1380	1580	1820	198
Capacity, m ³	2,8	3,0	4,0	5,5	7,0



Snow clearing bucket MPB-850

TECHNICAL DATA	MPB-850
Width, mm	1670
Total width, mm	1800
Height, mm	900
Capacity, m ³	0,85
Depth, mm	1112
Weight, kg	500



FITS TO



Buckets PLK

TECHNICAL DATA	PLK-2500
Weight, kg	525
Width, mm	2450
Height, mm	1305
Depth, mm	1350
Capacity, m ³	2,5



FITS TO



Heavy construction buckets KTC

TECHNICAL DATA	KTC-110
Weight, kg	422
Width, mm	2320
Height, mm	780
Depth, mm	1100
Capacity, m ³	1,1



FITS TO



Universal buckets KB-M

TECHNICAL DATA	KB-150M	KB-200M	KB-230M	KB-250M
Weight, kg	170	220	245	300
Width, mm	1500	2000	2300	2500
Height, mm	630	630	630	630
Depth, mm	870	870	870	870
Capacity, m ³	0,33	0,45	0,53	0,64



V Shape buckets

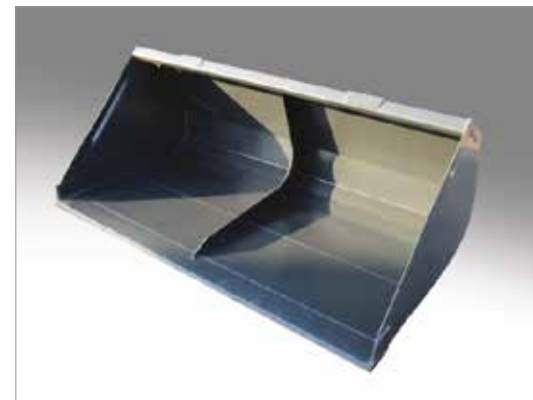
TECHNICAL DATA	V200.100.90
Weight, kg	602
Width (top), mm	1992
Width (bottom), mm	333
Height, mm	1054
Depth, mm	930
Capacity, m ³	0,8

(suitable for 13 t-18 t excavators)



Grain buckets KB

TECHNICAL DATA	KB-150	KB-200	KB-230
Weight, kg	225	285	315
Width, mm	1530	2000	2300
Height, mm	800	800	800
Depth, mm	1090	1090	1090
Capacity, m ³	0,81	1,05	1,2



Rehandling buckets KTR

TECHNICAL DATA	KTR-150	KTR-200	KTR-250	KTR-300
Weight, kg	420	500	586	660
Width, mm	2350	2440	2440	2550
Height, mm	900	1120	1350	1400
Depth, mm	1270	1520	1640	1820
Capacity, m ³	1,5	2,0	2,5	3,0



FITS TO



Grapple buckets KR

TECHNICAL DATA	KR-150	KR-170	KR-200	KR-230
Weight, kg	365	405	440	475
Width, mm	1500	1700	2000	2300
Height, mm	830	830	830	830
Depth, mm	1090	1090	1090	1090
Capacity, m ³	0,65	0,78	1,04	1,17

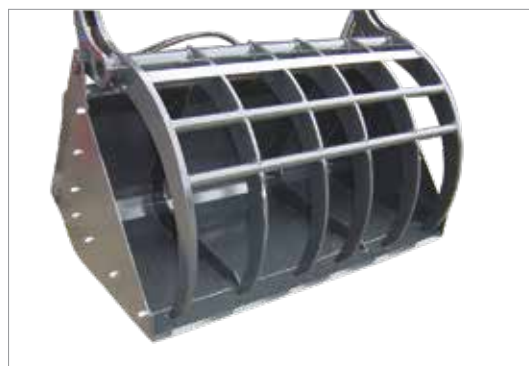


FITS TO



Grapple buckets KR-D

TECHNICAL DATA	KR-150D	KR-170D	KR-200D	KR-230D
Weight, kg	450	490	550	600
Width, mm	1500	1700	2000	2300
Height, mm	1140	1140	1140	1140
Depth, mm	1170	1170	1170	1170
Capacity, m ³	0,80	0,95	1,05	1,25



FITS TO



Grapple buckets with sheet nails KRL

TECHNICAL DATA	KR-118	KRL-130	KRL-150	KRL-200
Weight, kg	80	315	400	435
Width, mm	1180	1320	1520	2020
Height, mm	4830	830	830	830
Depth, mm	5020	1090	1090	1090
Capacity, m ³	0,18	0,36	0,65	1,04



FITS TO



Silograb with sheet nails SRL

TECHNICAL DATA	SRL-150
Weight, kg	360
Width, mm	1500
Height, mm	830
Depth, mm	1150
Capacity, m ³	0,65



FITS TO



Silo ripper SA

TECHNICAL DATA	SA-150	SA-190
Width, mm	1590	1990
Working width, mm	1500	1900
Height, mm	930	930
Depth, mm	810	810
Capacity, m ³	0,89	1,13
Weight, kg	560	740
Number of hydraulic cylinders, pcs	2	3
Recommended for tractors, HP	80-100	virš 100



FITS TO



Silograb SR

TECHNICAL DATA	SR-150	SR-170	SR-180	SR-200	SR-230	SR-250
Weight, kg	320	345	355	380	420	450
Width, mm	1500	1700	1800	2000	2300	2500
Height, mm	800	800	800	800	800	800
Depth, mm	1030	1030	1030	1030	1030	1030
Capacity, m ³	0,65	0,78	0,83	1,04	1,17	1,30



FITS TO



Pallet fork PS

TECHNICAL DATA	PS-95	PS-100
Fork length, mm	1000	1200
Lifting power, kg	400	1600
Weight, kg	71	188



FITS TO



Pallet fork with grapple PS-L

TECHNICAL DATA	PS-100L
Fork length, mm	1160
Max. height, mm	1200
Lifting power, kg	1600
Weight (without forks), kg	142



FITS TO



Bale handler RR

TECHNICAL DATA	RR-180
Bale size, mm	1200-1800
Weight, kg	250



FITS TO



Bale handler with hooks RR-SD

TECHNICAL DATA	RR-150SD
Bale size, mm	650-1500
Weight, kg	150



FITS TO



Square bale grapple KRR

TECHNICAL DATA	KRR 755-2100
Min. bale width, mm	742
Max. bale width, mm	2102
Lifting power, kg	1500
Load center of gravity, mm	495
Gripper depth, mm	1082
Height, mm	1198
Weight, kg	425



FITS TO



Frame for big bags DR

TECHNICAL DATA	DR-100
Height, mm	1833
Lifting power, kg	800-1000
Weight, kg	95



FITS TO



Earth drills ED

TECHNICAL DATA	ED-300 (non rotatable)	ED-300H (rotatable)
Drilling depth, mm	1000	1000
Drilling diameter, mm	According to the selected auger	
Angling	-	Hydraulic
Drive	Mechanical	Mechanical
Weight, kg	200	200

Optional:

- Augers
- 120 mm
 - 200 mm
 - 300 mm
 - 450 mm



Transport boxes TB

TECHNICAL DATA	TB-100	TB-125	TB-150
Width, mm	1000	1250	1500
Capacity, m ³	0,24	0,30	0,36
Emptying	Mechanical		
Angled while emptying	45°		
Weight, kg	63	70	77

FITS TO



FITS TO



Trench bucket KOK

TECHNICAL DATA	KOK8 300-600	KOK13 300-670	KOK13 430-800
L, mm	576	670	811
H, mm	569	705	705
L2, mm	300	300	430
Weight, kg	115	254	294
Depth, mm	1206	1450	1450
Knife	Hardox 450/25mm		



Grading buckets LKR10/LKR18

TECHNICAL DATA	LKR10-1400	LKR10-1500	LKR18-1700
L, mm	1400	1500	1700
H, mm	818	818	1034
L2, mm	1220	1320	1491
Weight, kg	284	299	554
Depth, mm	1033	1033	1246
Knife	Hardox 500/20mm		Hardox 500/25mm



Grading buckets LKR5

TECHNICAL DATA	LKR5-1000	LKR5-1200	LKR5-1300
L, mm	1000	1200	1300
H, mm	629	629	629
L2, mm	857	1057	1157
Weight, kg	125	147	158
Depth, mm	741	741	741
Knife	Hardox 500/16mm		

Grading buckets LKR8

TECHNICAL DATA	LKR8-1250	LKR8-1350	LKR8-1450
L, mm	1250	1350	1450
H, mm	664	664	664
L2, mm	1092	1192	1292
Weight, kg	234	251	268
Depth, mm	1137	1137	1137
Knife	Hardox 500/20mm		

Root grapple KH

TECHNICAL DATA	KH4-1200	KH5-1500	KH6-1600
Tines, units	4	5	6
Width, mm	1200	1500	1600
Height, mm	1350	1350	1350
Tines thickness, mm	35	35	35
Tines length, mm	1178	1178	1178
Weight, kg	615	745	830



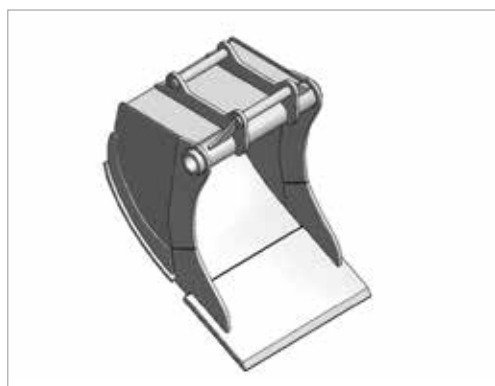
Crowbars / ice rippers RP

TECHNICAL DATA	RP5 S40	RP6 S45	RP8 S45	RP13 S60	RP18 S60	RP22 S70
Crowbar length, mm	760	760	970	808	1022	1215
Weight, kg	110	170	200	350	420	555



Digging bucket MGS

TECHNICAL DATA	MGS-1050	MGS-1100	MGS-1300	MGS-1470
Weight, kg	560	860	1120	1500
Width, mm	1050	1100	1300	1470
Height, mm	1360	1520	1630	1752
Capacity, m ³	0,7	0,9	1,15	1,6
Recommended for excavators	12-16t	16-20t	20-25t	28-32t



Bale wagon RP

TECHNICAL DATA	RP-6000
Lenght, mm	7455
Width, mm	2360
Bale diameter, mm	1500-1800
Bale quantity, pcs	3-4
Weight, kg	1000



Front loader FL-200 S-2

Lifting height – 2,0 m. Loading capacity – 520 kg.

TECHNICAL DATA	FL-200 S-2
Weight, kg	220
Bucket width, m	1,26
Bucket capacity m ³	0,16
Lifting power Q1 (at 120 bar), kg	520
Lifting power Q2 (at 120 bar), kg	400
Bucket inverted angle, o (F)	46
Bucket tipping angle, o (D)	64
Power of tractor, hp	20-40

Optional:

- Self levelling function
- 3rd function of hydraulics.

Optional attachments:

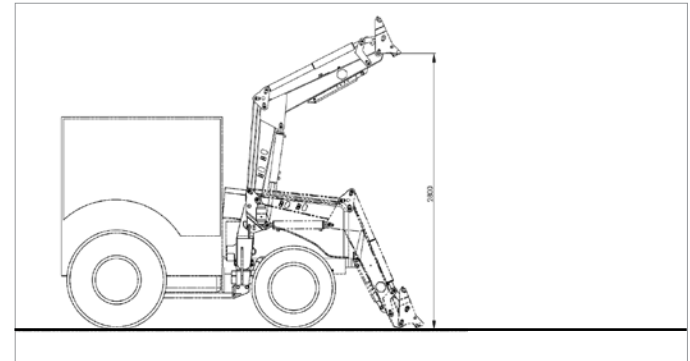
- Bucket
- 4in1 bucket
- Pallet forks
- Grapple bucket



Frontloader FL-280

Lifting height – 2,8 m. Load capacity – 1000 kg.

TECHNICAL DATA	FL-280
Weight, kg	290
Lifting power, kg	1000
Power of tractor, hp	50-60

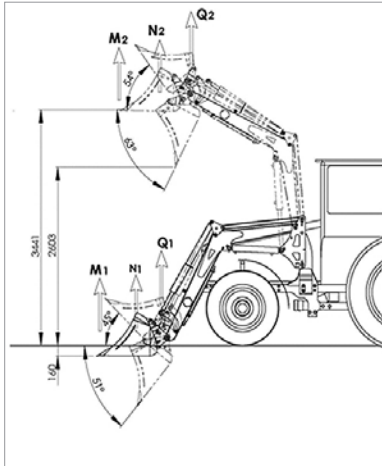


Frontloader FL-360

Lifting height – 3.6 m. Load capacity – 1860 kg.

Lifting forces daN (kg):

	PRESSURE	
	145 bar	180 bar
M ₁	1100	1410
M ₂	950	1190
N ₁	1410	1800
N ₂	1210	1530
Q ₁	1710	2190
Q ₂	1470	1860

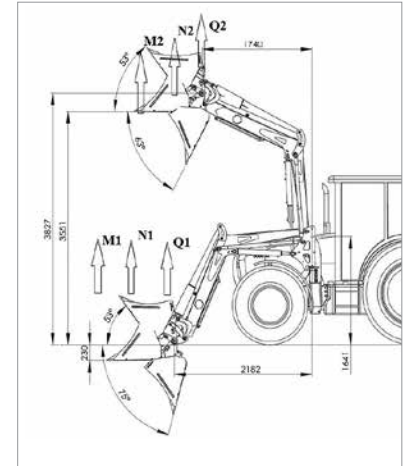


Frontloader FL-380

Lifting height – 3.8 m. Load capacity – 1860 kg.

Lifting forces daN (kg):

	PRESSURE	
	145 bar	180 bar
M ₁	1100	1410
M ₂	950	1190
N ₁	1410	1800
N ₂	1210	1530
Q ₁	1710	2190
Q ₂	1470	1860

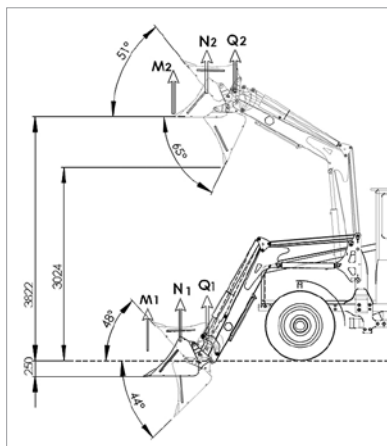


Frontloader FL-400

Lifting height – 4 m. Load capacity – 2100 kg.

Lifting forces daN (kg):

	PRESSURE	
	145 bar	180 bar
M ₁	1300	1670
M ₂	1050	1330
N ₁	1570	2020
N ₂	1310	1670
Q ₁	1900	2440
Q ₂	1650	2100



ORDERS

Orders must be confirmed either by email, fax or post within three working days. Orders will not be processed without official confirmation.

PRICES

The price list replaces and cancels all those issued before. All prices are exclusive of VAT and do not include carriage unless otherwise agreed.

SPECIFICATIONS

All capacities, sizes and weights in this brochure are approximate. JSC V.Padagas ir Ko reserves the right to alter specification without notice or consultation.

DELIVERY

The delivery time is set individually for every order. The Goods delivery shall be executed by means under the terms Ex Works, Plunge, unless otherwise agreed.

WARRANTY

The manufacturer guarantees the perfect functioning of Goods if it is operated in accordance with its manual and technical requirements. Throughout the warranty period observed shortcomings during the operation are remedied within 14 days or other agreed period of spreaders transmission warranty work conducting enterprise.

The warranty does not cover components and parts that wear out under normal operating conditions before the expiry of the warranty period. In addition, the warranty does not cover mechanical and other damages arising from the misuse and improper adjustment or maintenance carried out.

Provisions & Use of Work Equipment Regulations (2006)

JSC V. Padagas ir Ko produced machinery correspond to European directive 2006/42/EB.

A copy of our full terms and conditions of sale is available from our sales office.

SWEEPING MACHINES

Sweeping machine BS	5
Sweeping machine BS H	6
Sweeping machine FOX	7
Sweeping machine FOX BH	8
Sweeping machine FOX H	9
Sweeping machine FOX H BH	10
Sweeping machine PG	11
Sweeping machine PG-BH	12
Sweeping machine PG-F	13
Sweeping machine PROFI	14
Sweeping machine PROFI G	15
Sweeping machine PROFI H	16
Sweeping machine SHARK	17
Sweeping machine SHARK H	18
Sweeping machine KS	19
Sweeping machine MK III	20
Sweeping machine PIW	21
Sweeping machine TK	22
Excavator sweeper for lawns E-70	23

SNOWPLOWS

Light class duty class SSV-L	24
Light class duty class SSVL-L	25
Semi-heavy duty class SSV-M	26
Semi-heavy duty class SSVL-M	27
Heavy class SSV	28
Heavy duty class SSVL-A with positive angled Hardox knife	29
Heavy class SSVL	30
Semi-heavy duty class SSV-D	31
Economical class SV	32

GRADERS ATTACHMENTS

Grader RB-2275/3200H	33
Grader RB-M	34
Side grader attachment SG-250	35
Rear grader attachment GG-320	36
Frontal grader attachment CG-300	37
Bulldozer GF	37

SAND SPREADERS

Sand spreaders SP	38
Sand spreaders on wheels SP	39
Disc Sand spreader	
SPD-1000 – self load	40

ATTACHABLE IMPLEMENT

Snow blower SBV-2250	41
----------------------	----

Front mouth brackets	42
Concrete mixing bucket CM	43
Lightweight materials	
buckets LMK	44
Snow clearing bucket MPB-850	45
Buckets PLK	45
Heavy construction buckets KTC	46
V Shape buckets	46
Universal buckets KB-M	47
Grain buckets KB	47
Rehandling buckets KTR	48
Grapple buckets KR-D	48
Grapple buckets KR	49
Grapple buckets	
with sheet nails KRL	49
Silograb with sheet nails SRL	50
Silograb SR	50
Silo ripper SA	51
Pallet fork PS	51
Pallet fork with grapple PS-L	52
Bale handler RR	52
Bale handler with hooks RR-SD	53
Square bale grapple KRR	53
Frame for big bags DR	54
Transport boxes TB	54
Earth drill ED	55

EXCAVATOR TOOLS

Trench bucket KOK	56
Grading buckets LKR	56
Grading buckets LKR8	56
Grading buckets LKR10/LKR18	57
Root grapple KH	57
Crowbars / ice rippers RP	58
Digging bucket MGS	58

BALE WAGONS

Bale wagon RP	59
---------------	----

FRONTLOADERS

Front loader FL-200 S-2	
for mini tractors	60
Frontloader FL-280	61
Frontloader FL-360	62
Frontloader FL-380	63
Frontloader FL-400	64

TERMS

65



JSCV. Padagas ir Ko
Pušies str. 20, Varkalių km.
LT-90104 Plungės raj., Lithuania
Tel. +370 448 71863
Fax +370 448 71891
info@padagas.lt

www.padagas.lt